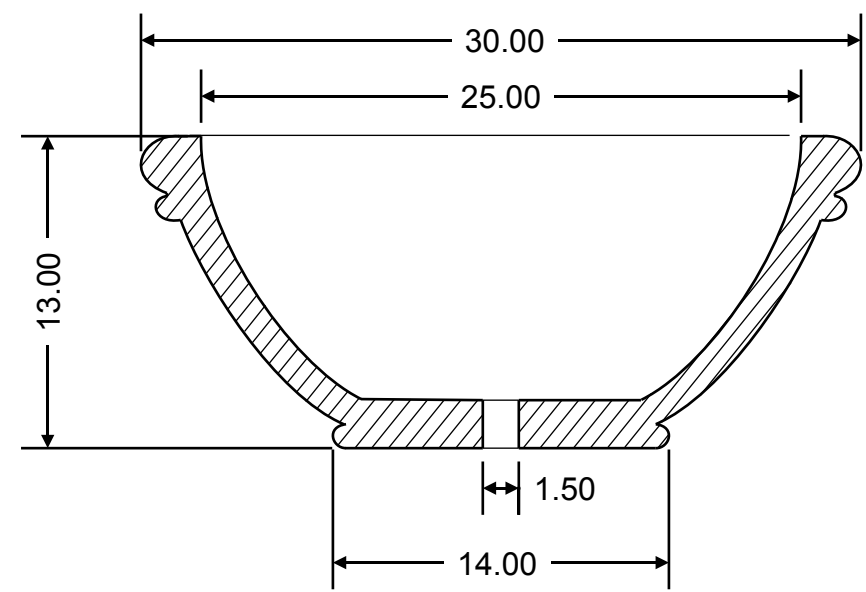
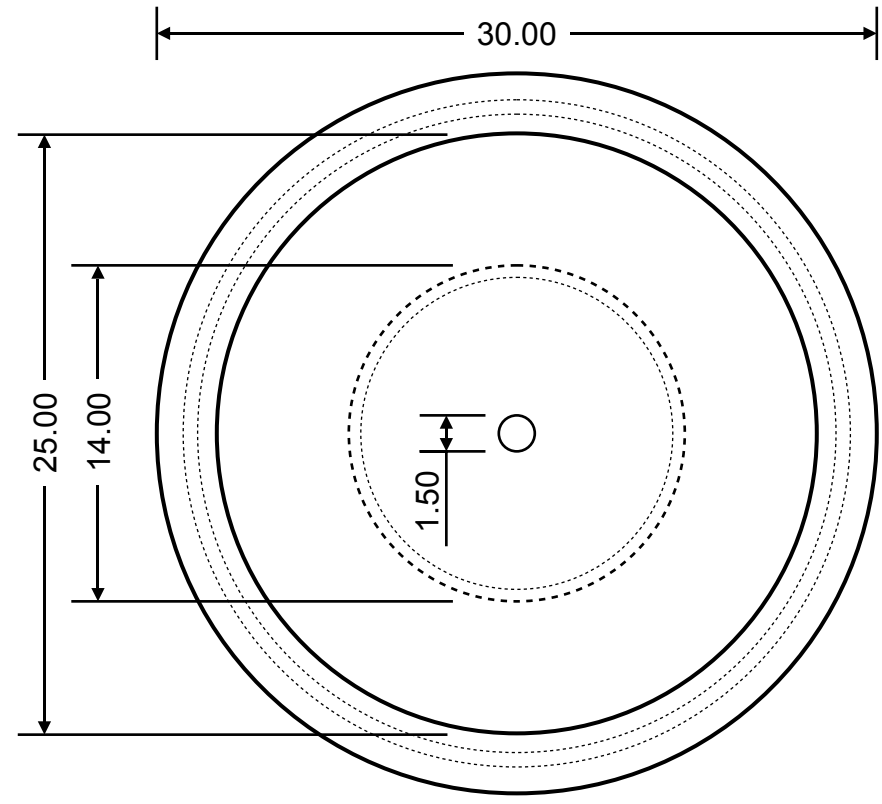


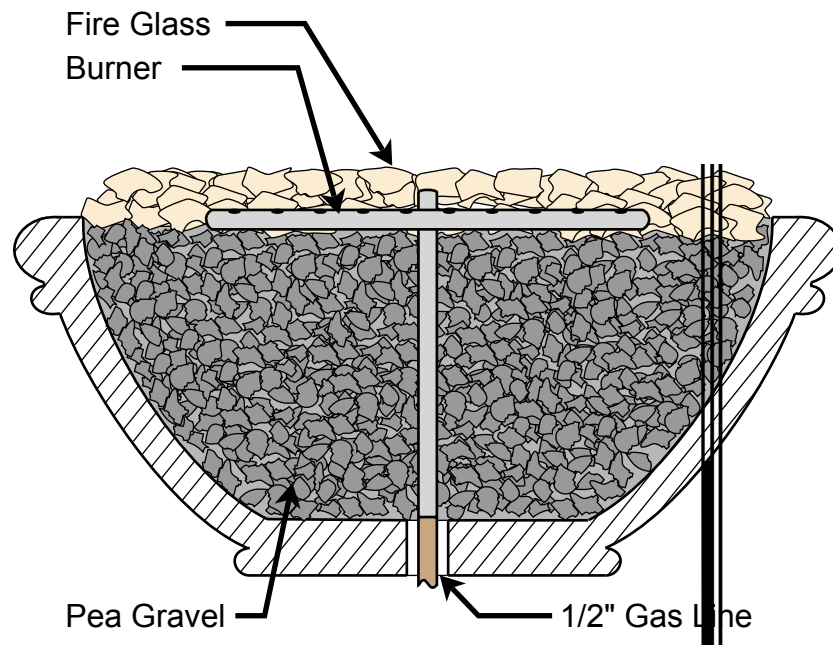


Ma al l a l i l c i

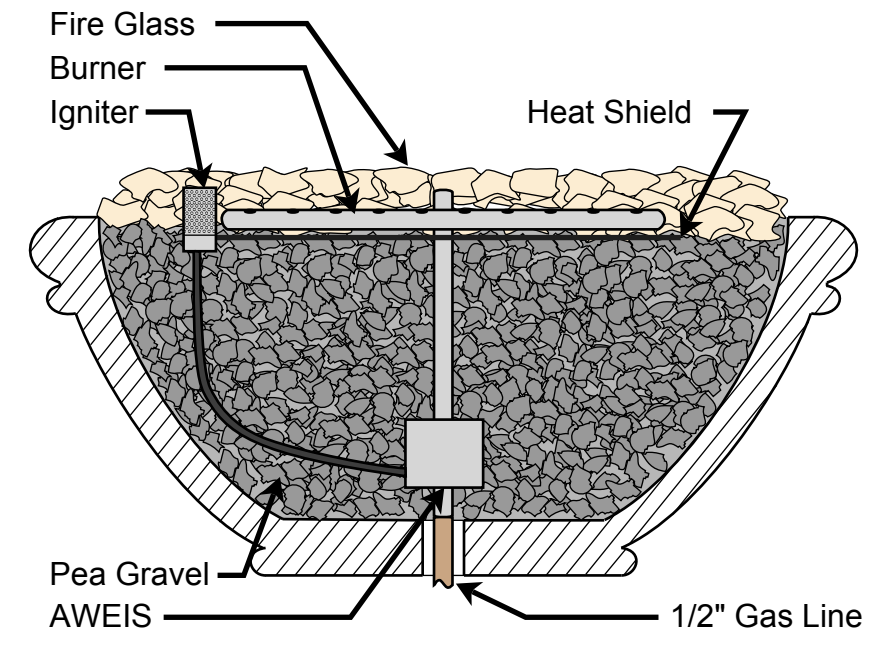
- Note:** The Fire Ring should not sit deeper than 1/2" below the Top Lip of the bowl.
- Using 1/4" Pea Gravel, fill the lower area of the bowl to 1/2" below the Top Lip of the bowl.
 - Place the Fire Ring on top of Pea Gravel, making sure it is centered.
 - Top the bowl with Fire Glass or Lava Rock.



Ma al Ligh



Re e M d le AEWIS



Concrete bowls are formed with fiber reinforced concrete with a water sealer additive and color all through the bowl. Cured for strength and durability.

C c e e F i e B T ca 30"	BackyardBlaze		
	The information contained in this Drawing is the sole property of Backyard Blaze. Any reproduction in part or as a whole without the written permission of Backyard Blaze is prohibited.		
Di e i a e i l che	Size	File No.	Rev
2 / 13 / 2014	Scale 1:8	Drawn: Edward Morgan	TUS3013 Sheet 1

