

BackyardBlaze.Com

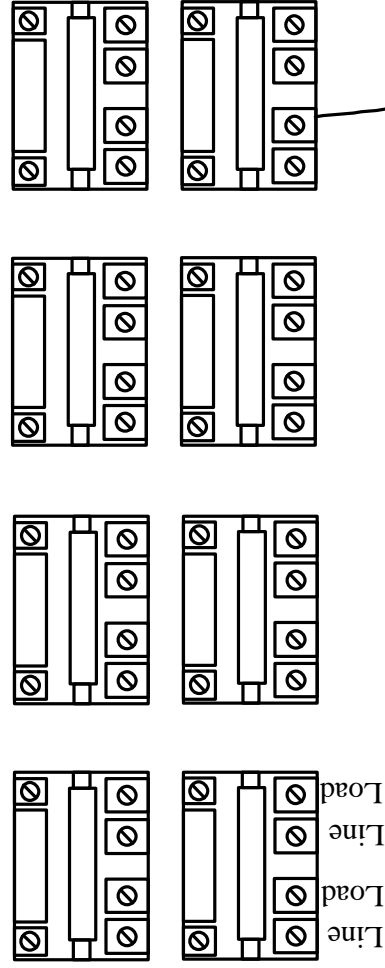
Relax in the warm glow with style and class

Toll Free: 877-269-8068

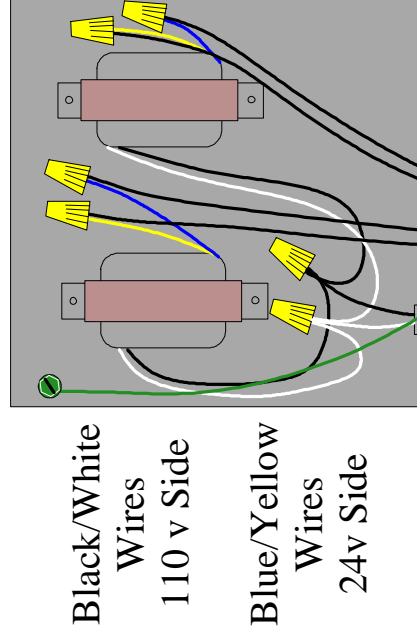
Automated Pool Controller

(Aqualink, Pentair Intellitouch, etc.)

Wiring When 2 Fire Features Turned On & Off with One Button



J-Box with 24v Transformers
(One Transformer Needed
For Each Fire Feature)



* At right 2 conduit are shown, one to each fire feature. It is possible to daisy chain the conduit and wire run. This would make it possible to run one conduit to the 2 fire features and then link the fire features with conduit.

Conduit to
Each Fire
Feature*